



## KEY FEATURES

- Large format, High output dual 18" Subwoofer
- 4.5" 4 layer, inside outside, long excursion voice coil
- 136.5 dB SPL continuous and 142.5 dB peak high SPL Output
- Ultra Premium European 18" LF driver with extremely high excursion capacity for extended low frequency output
- High strength Polycellulose cone reinforced with fibrillated nylon fibres
- Advanced thermal management via internal heatsink case on die caste chasis of driver
- Touring grade heavily braced hard birch plywood cabinet
- Touring grade Rubberised coarse sanded coating with textured black mat finish (Made in Europe)
- Provision for pole mounting top

## APPLICATIONS

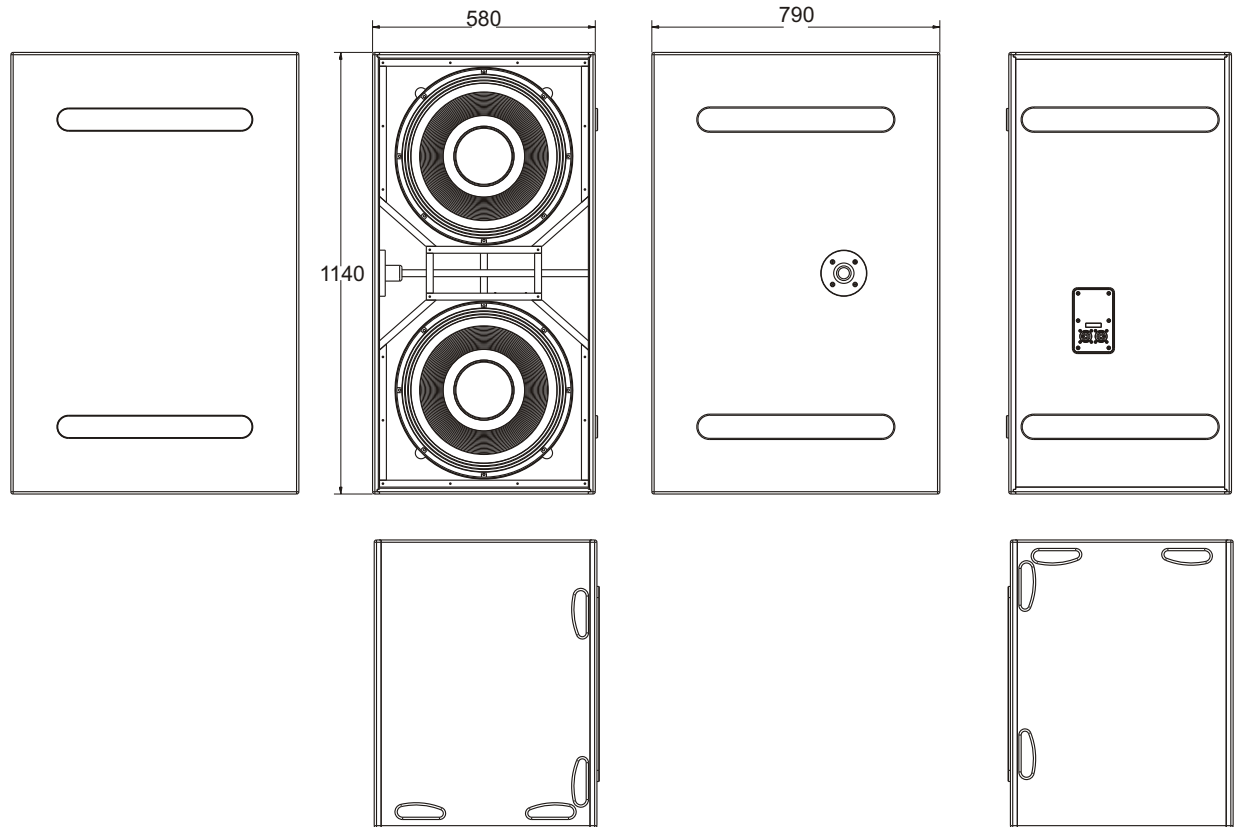
The ZX 218sHP is a Large Format Dual 18" Touring Grade Subwoofer for bass reinforcement suitable for

- Large scale PA systems
- Touring systems
- Permanent installation in large Club, Theater, Auditorium and other indoor venues
- DJ and mobile applications
- Side fills on stage
- Forth Line Array speakers

## SPECIFICATIONS

System Power Handling	3000W RMS (AES) 6000W Program / 12000W Peak
Nominal impedance	4 ohms
Frequency response (-6dB)	29Hz - 150Hz
Average Sensitivity	101dB/W/m
Calculated Maximum SPL / 1m	136.5dB continuous 139.5dB Program 142.5dB Peak
Recommended low cut filter	30Hz 24dB/oct
Recommended amplifier	Up to 6000W (no clip)
LF	Celto Acoustique 2x18" (4.5" VC long excursion)
Connectors	NEUTRIK Speakon NL4
Pole mount	35mm top hat
Cabinet	CNC made with tongue & grove assembly 15 and 18mm Balict birch plywood exterior grade
Finish	Rubberised coarse sanded coating with textured black mat finish (Made in Europe)
Size (WxHxD)	1140x580x790mm 44.9"x22.8"x31.1"
Net weight	86kg (189.6lbs)

## DRAWING



## WIRING

