



### KEY FEATURES

- The highest SPL of the category
- Ultra low distortion (less than 0.2% average at 110dB)
- Impressive 800W RMS power handling capacity and high efficiency
- 15" custom European LF driver with 4" voice coil (Made in France)
- 1.4" Exit / 3" Voice Coil HF driver
- Proprietary 60° x 40° rotatable horn for long throw applications
- Multi purpose cabinet design for FOH or monitor use
- M8 insert points for flying the speaker
- Touring grade Baltic Birch plywood CNC cabinet
- Touring grade Rubberised coarse sanded coating with textured black mat finish (Made in Europe)

### APPLICATIONS

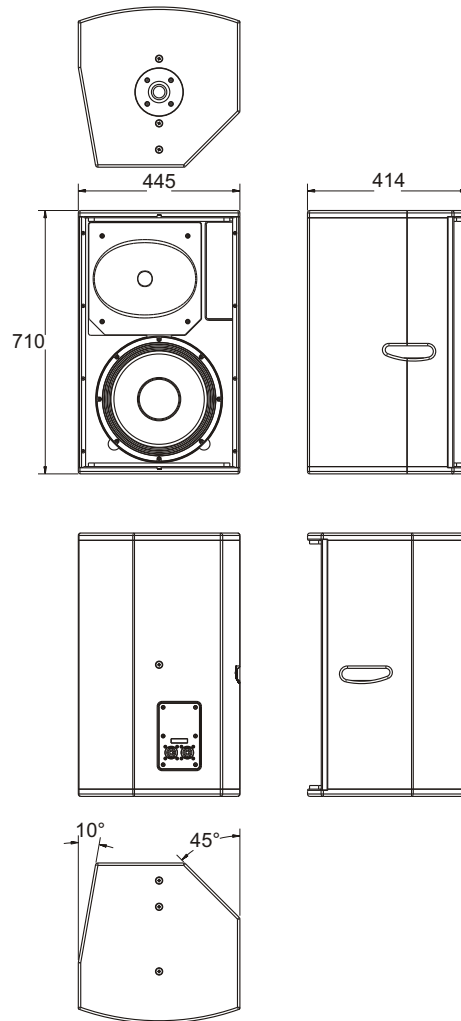
The ZX15 Loudspeaker is a 15" Two-way Touring Grade Loudspeaker system suitable for

- Main PA Sound Reinforcement for Live Outdoor applications
- As Main PA for Auditoriums, Clubs, Lounge Bars, Seminar Training & AV rooms
- Indoor / Outdoor DJ and Live Club Applications
- All kinds of stage monitoring applications
- As fill Loudspeakers for main PA, Under balcony or above balcony applications
- AV presentations for rental companies

### SPECIFICATIONS

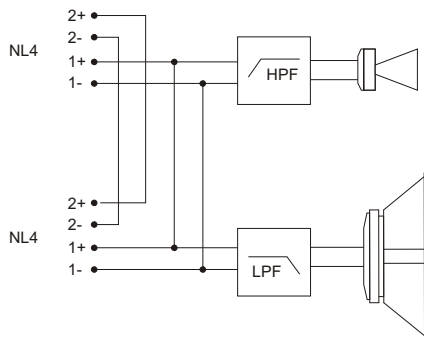
System Power Handling	800W RMS (AES) 1600W Program / 3200W Peak
Nominal impedance	8 ohms
Frequency response (-6dB)	44Hz - 20KHz
Average Sensitivity	99dB/1W/1m
Calculated Maximum SPL / 1m	128dB continuous 131dB Program 134dB Peak
Nominal Directivity	60°x40°
Recommended low cut filter	45Hz 24dB/oct in full range mode 75-120Hz with subwoofer
Recommended amplifier	Up to 1600W (no clip) in specified frequency response
LF	Celto Acoustique 1x15" (4" VC)
HF	Celto Acoustique 1.4" Exit (3" VC)
Crossover	1.5 KHz Passive
Flying hardware	12 M8 with internal metal brackets
Connectors	2 pcs NEUTRIK Speakon NL4 MP
Floor Monitor use	Yes
Pole mount	35mm top hat
Cabinet	CNC made with tongue & groove assembly 15 and 18mm Baltic birch plywood
Finish	Rubberised coarse sanded coating with textured black mat finish (Made in Europe)
Size (WxHxD)	445x710x414mm 17.5"x28.0"x16.3"
Net weight	28kg (61.7lbs)

### DRAWING



ZX 15

### WIRING



### MEASUREMENT

