



## KEY FEATURES

- 600W RMS power capacity
- High quality custom premium European drivers
- Proprietary 90°x60° rotatable horn
- Multi purpose cabinet design for FOH or Monitor use
- Touring grade Birch plywood CNC cabinet
- Touring grade coating with textured black mat finish (Made in Europe)
- Tropicalized moisture free construction (hardware and drivers)
- Comprehensive flying hardware (M8 points)
- Scratch Resistant Coating

## APPLICATIONS

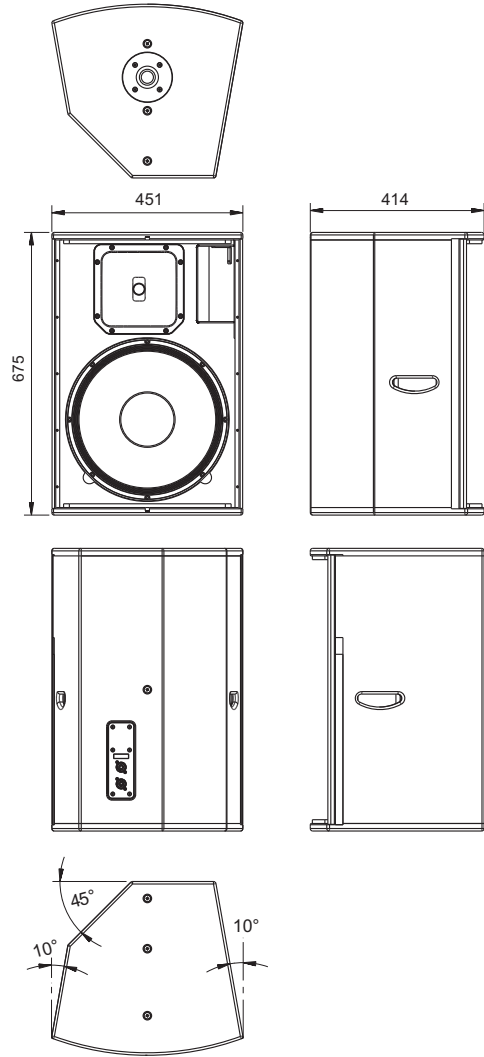
The VX15 loudspeaker is a 15" Two-way Touring Grade Speaker system suitable for

- Main PA Sound Reinforcement for Live Outdoor applications
- As Main PA for Auditoriums, Clubs, Lounge Bars, Seminar Training & AV rooms
- Indoor / Outdoor DJ and Live Club Applications
- All kinds of stage monitoring applications
- As fill Loudspeakers for main PA, Under balcony or above balcony applications
- AV presentations for rental companies

## SPECIFICATIONS

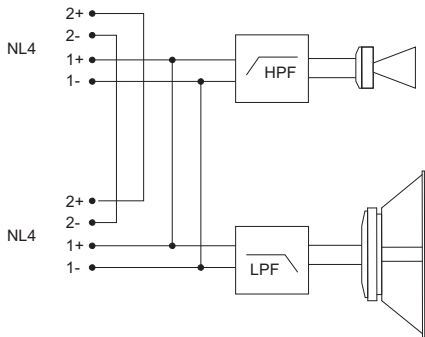
System Power Handling	600W RMS 1200W Program / 2400W Peak
Nominal impedance	8 ohms
Frequency response -6dB half space	48Hz - 20KHz
Average Sensitivity	100dB/W/m
Calculated Maximum SPL / 1m	128dB continuous 131dB Program 134dB Peak
Nominal Directivity -6dB	90°x60°
Recommended low cut filter	50Hz 24dB/oct in full range mode 70-130Hz with subwoofer
Recommended amplifier	Up to 1200W (no clip) in specified frequency response
	LF Custom Premium 1x15" (3" VC)
	HF Custom Premium 1" Exit (2" VC)
Crossover	1.8 KHz Passive
Flying hardware	7 M8 points
Connectors	NEUTRIK Speakon NL4
Floor Monitor use	Yes
Pole mount	35mm top hat
Cabinet	CNC made with tongue & groove assembly 15 and 18mm Russian birch plywood exterior grade
Finish	Touring grade coating with textured black mat finish, Scratch Resistant coating (Made in Europe)
Size (WxHxD)	451x675x414mm 17.8"x26.6"x16.3"
Net weight	28kg (61.7lbs)

### DRAWING



VX 15

### WIRING



### MEASUREMENT

