



KEY FEATURES

- High Power 300W RMS power capacity
- Extremely Smooth Sounding Loudspeaker
- High quality custom premium European drivers
- Proprietary 90°x60° rotatable horn
- HF - High Power Compression Driver with 2" VC
- Multi purpose cabinet design for FOH or Monitor use
- Touring Grade Birch plywood CNC cabinet
- Touring grade coating with textured black mat finish (Made in Europe)
- Tropicalized moisture free construction (hardware and drivers)
- Comprehensive flying hardware (M8 points)
- Scratch Resistant Coating

APPLICATIONS

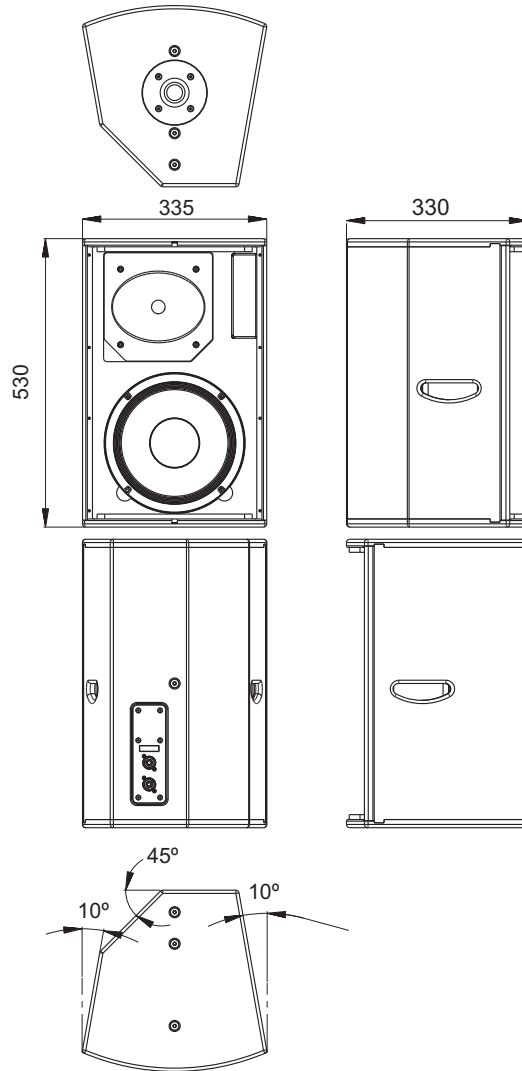
The VX10 loudspeaker is a 10" Two-way Touring Grade Speaker system suitable for

- Main PA reinforcement for Auditoriums, Clubs, Lounge Bars, Seminar Training & AV rooms
- All kinds of stage monitoring applications
- As fill Loudspeakers for main PA, Under balcony or above balcony applications
- AV presentations for rental companies
- Large Home Theater systems

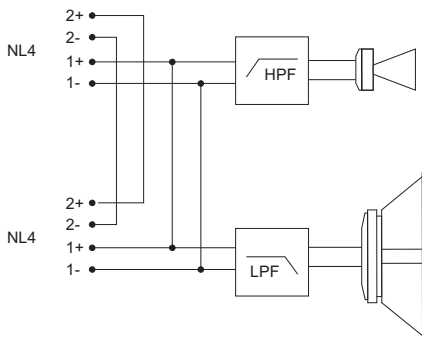
SPECIFICATIONS

System Power Handling	300W RMS 600W Program / 1200W Peak
Nominal impedance	8 ohms
Frequency response -6dB half space	52Hz - 19KHz
Average Sensitivity	96dB/W/m
Calculated Maximum SPL / 1m	120dB continuous 123dB Program 126dB Peak
Nominal Directivity -6dB	90°x60°
Recommended low cut filter	60Hz 24dB/oct in full range mode 70-140Hz with subwoofer
Recommended amplifier	Up to 600W (no clip) in specified frequency response
LF	Custom Premium BEYMA 1x10" (2" VC)
HF	Custom Premium BEYMA 1" Exit (2" VC)
Crossover	2.2 KHz Passive
Flying hardware	7 M8 points
Connectors	NEUTRIK Speakon NL4
Floor Monitor use	Yes
Pole mount	35mm top hat
Cabinet	CNC made with tongue & groove assembly 15 and 18mm Baltic birch plywood exterior grade
Finish	Touring grade coating with textured black mat finish, Scratch Resistant coating (Made in Europe)
Size (WxHxD)	335x530x330mm 13.2"x20.9"x13.0"
Net weight	16kg (35.3lbs)

DRAWING



WIRING



MEASUREMENT

