



KEY FEATURES

- High Power 250W RMS power capacity
- Extremely Smooth Sounding fullrange Loudspeaker
- High quality custom premium European drivers
- Proprietary 90°x60° rotatable horn
- HF - High Power Compression Driver with 1.7" VC
- Multi purpose cabinet design for FOH or Monitor use
- Birch plywood cabinet
- Touring grade coating with textured black mat finish, Scratch Resistant Coating
- Tropicalized moisture free construction (hardware and drivers)
- Comprehensive flying hardware (M8 points)

APPLICATIONS

The QX8 Loudspeaker is a 8 " Two-way Loudspeaker system suitable for

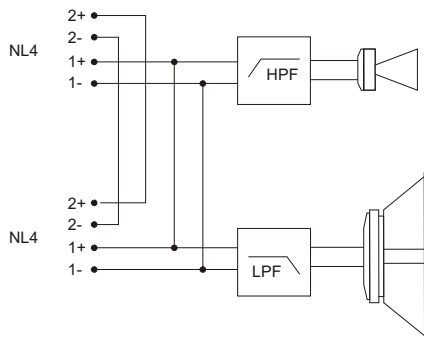
- As Main PA for Seminar Training rooms, Class rooms, Clubs, Lounge, Restaurants, AV rooms & Gyms.
- Small stage monitor and personal monitor applications.
- As fill Loudspeakers for under balcony, above balcony and front fill for Auditoriums.
- AV presentations for rental companies
- Large Home Theater systems

SPECIFICATIONS

System Power Handling	250W RMS (AES) 500W Program / 1000W Peak
Nominal impedance	8 ohms
Frequency response (-6dB)	57Hz - 20KHz
Average Sensitivity	95dB/1W/1m
Calculated Maximum SPL / 1m	119dB continuous 122dB Program 125dB Peak
Nominal Directivity	90°x60°
Recommended low cut filter	60Hz 24dB/oct in full range mode 75-130Hz with subwoofer
Recommended amplifier	Up to 500W (no clip) in specified frequency response
LF	Celto Acoustique 1x8" (2" VC)
HF	Celto Acoustique 1" Exit (1.7" VC)
Crossover	1.8 KHz Passive
Flying hardware	9 M8 Internal metal brackets
Connectors	NEUTRIK Speakon N14 MP
Floor Monitor use	Yes (both sides)
Pole mount	35mm top hat
Cabinet	CNC made with tongue & groove assembly 15 and 18mm Russian birch plywood
Finish	Touring grade coating with textured black mat finish, Scratch Resistant coating
Size (WxHxD)	270x445x270mm 10.6"x17.5"x10.6"
Net weight	12kg (26.5lbs)

DRAWING

WIRING



MEASUREMENT

