



KEY FEATURES

- 500W RMS power capacity
- High quality custom premium European drivers
- Proprietary 75°x50° rotatable horn
- Multi purpose cabinet design for FOH or Monitor use (can be used as Stereo pair)
- Birch plywood cabinet
- Touring grade coating with textured black mat finish, Scratch Resistant coating
- Tropicalized moisture free construction (hardware and drivers)
- Comprehensive flying hardware

APPLICATIONS

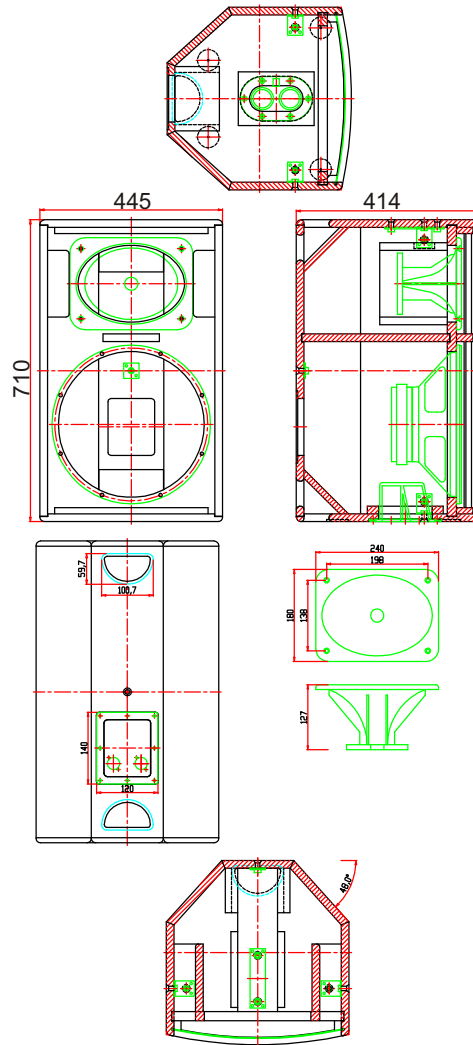
The QX15mkII Loudspeaker is a 15" Two-way Loudspeaker system suitable for

- As Main PA for Auditoriums, Clubs, Lounge Bars, Seminar Training & AV rooms
- Indoor/Outdoor DJ and Live Club Applications
- All kinds of stage monitoring applications
- As fill Loudspeakers for main PA, Under balcony or above balcony applications
- AV presentations for rental companies
- Large Home Theater systems

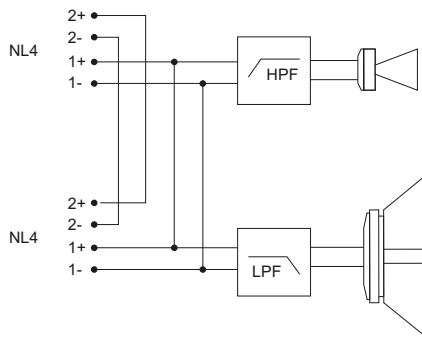
SPECIFICATIONS

System Power Handling	500W RMS (AES) 1000W Program / 2000W Peak
Nominal impedance	8 ohms
Frequency response (-6dB)	47Hz - 20KHz
Average Sensitivity	98dB/1W/1m
Calculated Maximum SPL / 1m	125dB continuous 128dB Program 131dB Peak
Nominal Directivity	75°x50°
Recommended low cut filter	50Hz 24dB/oct in full range mode 75-130Hz with subwoofer
Recommended amplifier	Up to 1000W (no clip) in specified frequency response
LF	Celto Acoustique 1x15" (2.5" VC)
HF	Celto Acoustique 1" Exit (1.7" VC)
Crossover	1.7 KHz Passive
Flying hardware	15 M8 with internal metal brackets
Connectors	NEUTRIK Speakon NL4
Floor Monitor use	Yes (both sides)
Pole mount	35mm top hat
Cabinet	CNC made with tongue & groove assembly 15 and 18mm Russian birch plywood
Finish	Touring grade coating with textured black mat finish,
Size (WxHxD)	445x710x414mm 17.5"x28.0"x16.3"
Net weight	26kg (57.3lbs)

DRAWING



WIRING



MEASUREMENT

