



KEY FEATURES

- 400W RMS power capacity
- High quality custom premium European drivers
- Proprietary 90°x60° rotatable horn
- Multi purpose cabinet design for FOH or Monitor use (can be used as Stereo pair)
- Birch plywood CNC cabinet
- Touring grade coating with textured black mat finish, Scratch Resistant coating
- Tropicalized moisture free construction (hardware and drivers)
- Comprehensive flying hardware

APPLICATIONS

The QX15 Loudspeaker is a 15" Two-way Loudspeaker system suitable for

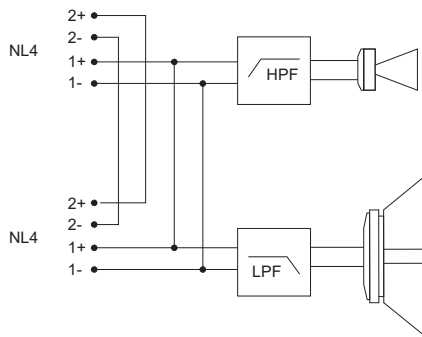
- As Main PA for Auditoriums, Clubs, Lounge Bars, Seminar Training & AV rooms
- Indoor/Outdoor DJ and Live Club Applications
- All kinds of stage monitoring applications
- As fill Loudspeakers for main PA, Under balcony or above balcony applications
- AV presentations for rental companies
- Large Home Theater systems

SPECIFICATIONS

System Power Handling	400W RMS 800W Program / 1600W Peak
Nominal impedance	8 ohms
Frequency response -6dB half space	50Hz - 20KHz
Average Sensitivity	99dB/W/m
Calculated Maximum SPL / 1m	125dB continuous 128dB Program 131dB Peak
Nominal Directivity -6dB	90°x60°
Recommended low cut filter	50Hz 24dB/oct in full range mode 75-130Hz with subwoofer
Recommended amplifier	Up to 1000W (no clip) in specified frequency response
LF	Custom Premium 1x15" (2.5" VC)
HF	Custom Premium 1" Exit (2" VC)
Crossover	2 KHz Passive
Flying hardware	7 M8 points
Connectors	NEUTRIK Speakon NL4
Floor Monitor use	Yes (both side)
Pole mount	35mm top hat
Cabinet	CNC made with tongue & groove assembly 15 and 18mm Russian birch plywood
Finish	Touring grade coating with textured black mat finish,
Size (WxHxD)	445x710x414mm 17.5"x28.0"x16.3"
Net weight	16kg (57.3lbs)

DRAWING

WIRING



MEASUREMENT

